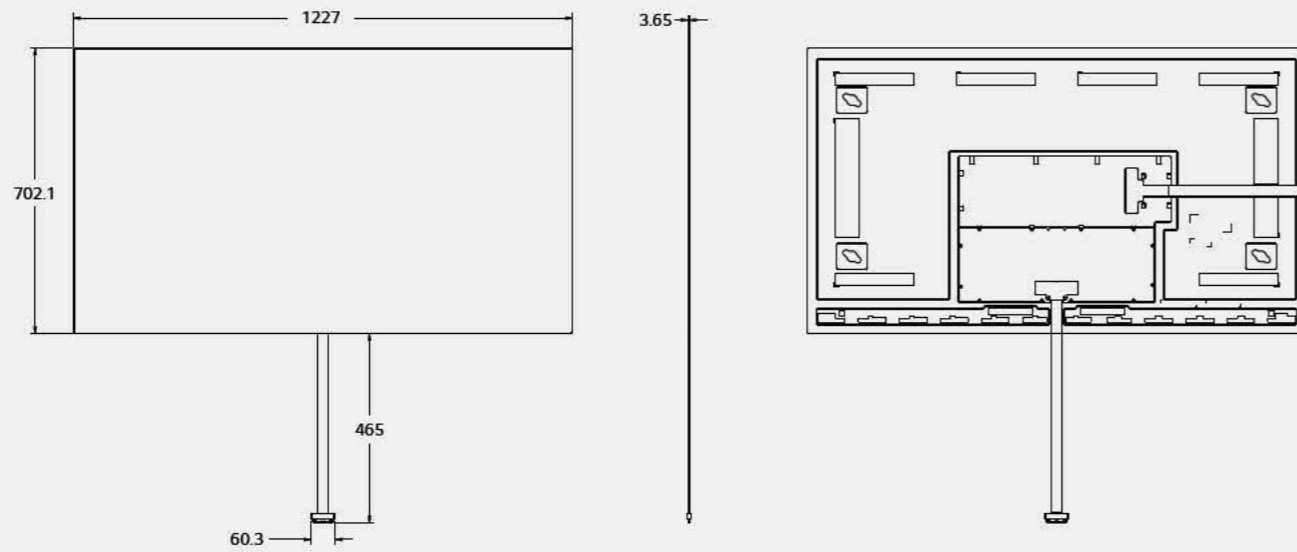
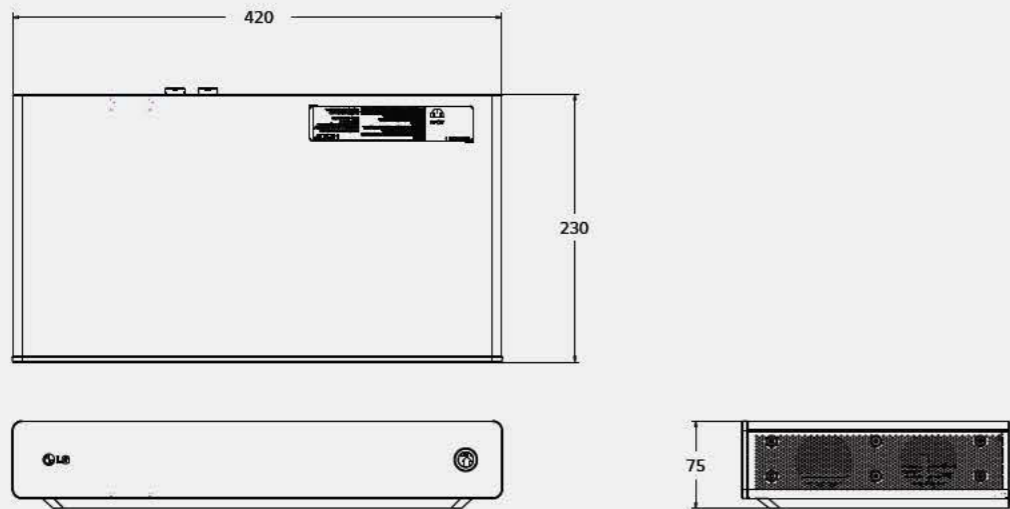


Dimension (unit : mm)

Display



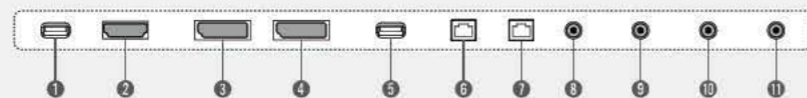
Signage Box



Connectivity

- 1 USB 2.0
- 2 HDMI
- 3 DP in
- 4 DP out
- 5 USB 3.0
- 6 LAN in
- 7 LAN out
- 8 IR in
- 9 RS232C in
- 10 RS232C out
- 11 Audio out

55EJ5D



- www.lg.com/b2b
- www.youtube.com/c/LGCommercialDisplay
- www.facebook.com/LGInformationDisplay
- www.linkedin.com/company/LGInformationDisplay

LG may make changes to specifications and product descriptions without notice.
Copyright © 2018 LG Electronics Inc. All rights reserved. "LG Life's Good" is a registered trademark of LG Corp.
The names of products and brands mentioned here may be the trademarks of their respective owners.



Artistic Space Beyond Display
55EJ5D wallpaper OLED signage



The innovative LG 55EJ5D wallpaper OLED signage is surprisingly slim, light and space saving. It provides an extraordinary customer experience as well as upgrading the space when installed in premium locations. It can also be used as a video wall by easily attaching it to a wall with a magnetic mat.

Why OLED Technology?

Perfect Black

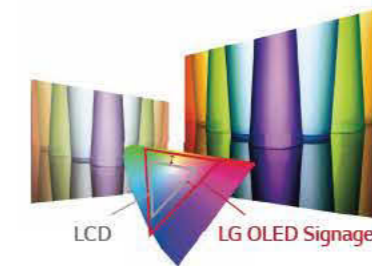
Limitless contrast and deepest black
Self-lighting pixels switch off completely to reproduce black. No light bleeding. Absolute black offers infinite contrast.



LCD LG OLED Signage

Perfect Color

Accurate & stable color reproduction
Self-lighting pixels bring colors to life with superb accuracy.



LCD LG OLED Signage

Perfect Viewing Screen

Wide viewing angle
LG OLED Signage delivers awe-inspiring picture quality across the entire screen, even from wide viewing angles.



LCD LG OLED Signage

Crisp, Clear Motion

Faster response time
LG OLED Signage provides a 5,000-times faster motion-picture response time, for perfectly clear images without blurring.



LCD LG OLED Signage

Perfect Design

Slim and light
With just two layers, the LG OLED Signage display is unbelievably lightweight and thin.



LCD	VS	LG OLED Signage
86.5 mm		365 mm*
18.6 kg		126 Kg
		* Edge depth



Artistic Space Beyond Display

55EJ5D wallpaper OLED signage



Screen Size
55"

55EJ5D

- Brightness : 400 cd/m² (APL 25%)
- Bezel: 1.2 mm (Off bezel)
- Depth: 3.65 mm (Module)
- Interface: HDMI, DP, RS232C, RJ45, IR In, USB 3.0, USB 2.0
- SuperSign CMS / Link

LG SuperSign webOS LG OLED

Key Features

Hide in Plain Sight

Its paper-thin depth gives the space an integrated look.



Easy Installation & Video-Wall Tiling

As LG wallpaper OLED signage is extremely slim and light, it can be hung on the wall with dedicated slim brackets for video-wall usage.



Specifications

		55EJ5D
PANEL	Screen Size	55"
	Panel Technology	OLED
	Aspect Ratio	16:9
	Native Resolution	1,920 x 1,080 (FHD)
	Brightness	100/400 cd/m ² (APL 100% / 25%) * Average picture level
	Dynamic CR	100,000:1
	Viewing Angle (H x V)	178 x 178
	Response Time	1 ms (G to G), 8 ms (MPRT)
	Surface Treatment	Hard coating (2H), Anti-reflection treatment of the front polarizer (Reflectance typ. 1.0%)
	Guaranteed Operating Hours	18 hrs/7 days (Moving video only)
Orientation	Landscape & Portrait	
CONNECTIVITY	Input	HDMI, DP, USB 2.0, USB 3.0
	Output	DP, Audio (Off/Fixed/Variable)
	External Control	RS232C in/out, RJ in/out, IR (Shared w/ RS232C Out Port)
PHYSICAL SPECIFICATION	Bezel Color	Black
	Bezel Width	1.2, 1.2, 1.2, 1.2 mm (U, B, L, R *Offset bezel)
	Dimension (W x H x D)	Head: 1,227 x 702.1 x 3.65 mm, Signage Box: 420 x 230 x 75 mm
	Weight	Head: 5.5 kg, Signage Box: 5.3 kg, Wall Bracket: 1.8 kg
	Carton Dimensions (W x H x D)	1,383 x 834 x 252 mm
	Packed Weight	22.5 kg
SPECIAL FEATURES	Temperature Sensor, Cooling FAN, Source Selection, DPM Select, Energy Saving, Motion Eyecare, File Play with USB, Internal Memory (64 GB), Wi-Fi Dongle Ready, USB Cloning, Contents Scheduling, Local Time Auto Setting, Failover, SoftAP, BEACON, DP Daisy Chain	
ENVIRONMENT CONDITIONS	Operation Temperature	0°C to 40°C
	Operation Humidity	10% to 80%
POWER	Power Supply	100-240 V~, 50/60 Hz
	Power Type	Built-in Power
POWER CONSUMPTION	Typ.	190 W
	DPM	Less than 3 W
	Power off	Less than 0.5 W
STANDARD (CERTIFICATION)	Safety	UL/cUL/CB/TUV/KC
	EMC	FCC Class "A"/CE/KCC
	ErP/Energy Star	Yes/N/A
MEDIA PLAYER COMPATIBILITY	OPS-Type Compatible	Yes
	External Media Player Attachable	Yes
SOFTWARE COMPATIBILITY	Content Management Software	SuperSign CMS
	Control and Monitoring Software	SuperSign Link
ACCESSORIES	Basic	Remote Controller (2 Batteries Included), FPC Extension Cable (Connection between Screen and Signage Box), Power Cord, DP Cable, RS-232C Cable, RS-232C Gender, LAN Cable, IR Receiver, Manual (ESG, EIG), Wall-mount Plate (Includes Screws), Harness Locking Cover, Set Install Guide, Signage Box Bracket (U-Leg), FPC Cable Cover
	Optional	OPS Kit (KT-OPSA)